



DRY AGER

BUILT FOR BEEF



* * *

TECHNICAL DATA
DRY AGER® DX 500®

Technical info



DRY AGER DX 500 – for up to 20 kg

Art. No. DX500

DOOR – *Stainless Steel*

EXTERNAL HOUSING – *Satin Black*

INSULATED GLASS DOOR – *UV Protection (metallic tint)*

INTERNAL DIMENSIONS – *71 x 50 x 43 cm (H x W x D)*

EXTERNAL DIMENSIONS – *90 x 60 x 61 cm (H x W x D)*

INTERNAL CAPACITY / NET – *147 / 132 Litre*

VOLTAGE – *230 V – 13 amp Domestic Supply*

TEMPERATURE RANGE – *electronic controller in 0.1 °C increments from: 0 °C to +25 °C*

HUMICONTROL – *electronic humidity controller from 60% to 90%*

(no external water supply necessary)

DX AIRREG – *optimal airflow, activated carbon filter & UVC sterilization system*

LED LIGHTING DX – *the light spectrum does not contain any ultra violet radiation, the result is a minimum of heat generated and will not affect the core meat temperature*

DEFROST AUTOMATIC, AUTOMATIC CONDENSATION EVAPORATION

OPTIC AND ACUSTIC ALARM ALERT, LOCKABLE DOOR, REVERSIBLE DOOR

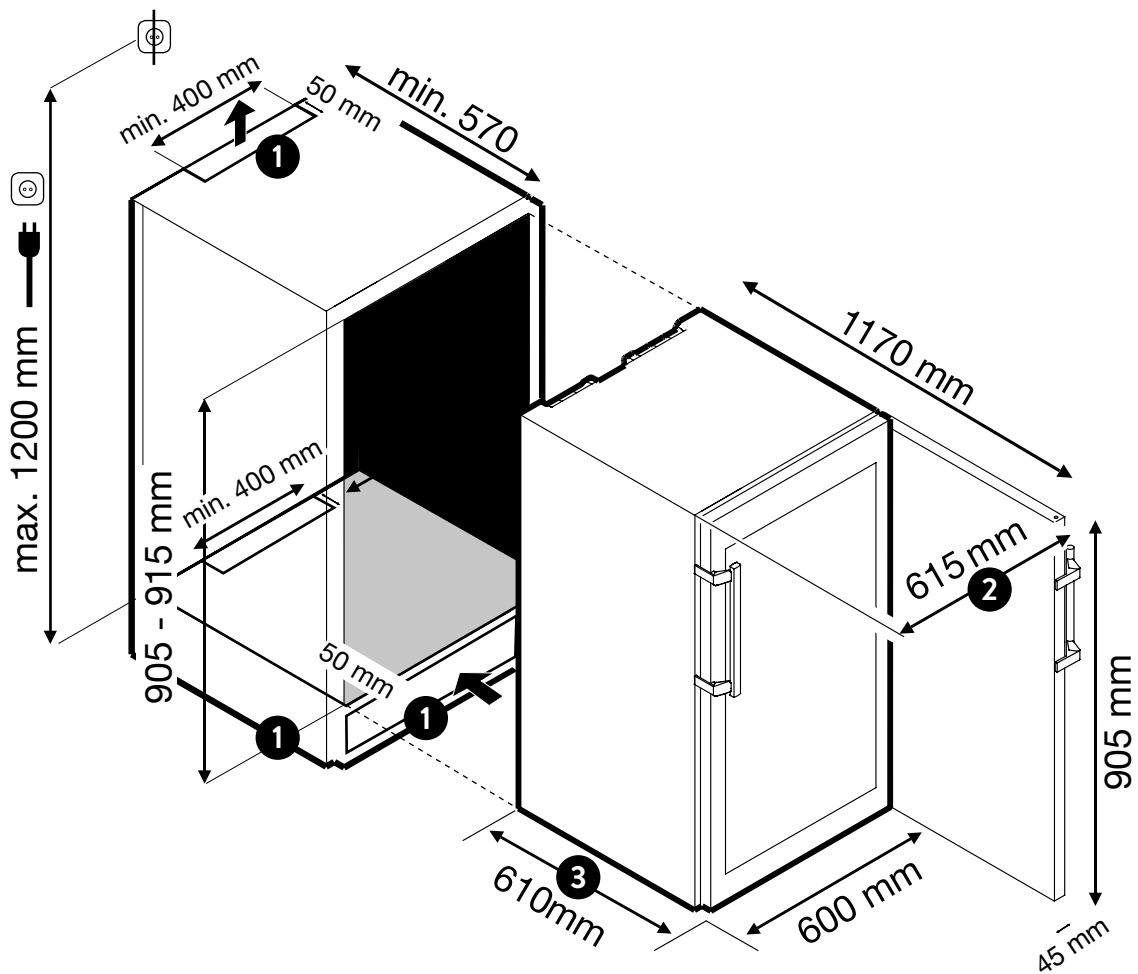
CAN BE INTEGRATED, MAGNETIC DOOR SEAL

MAXIMUM LOAD – *up to 20 kg*

MAXIMUM LOADING CAPACITY PER HANGER – *40 kg*

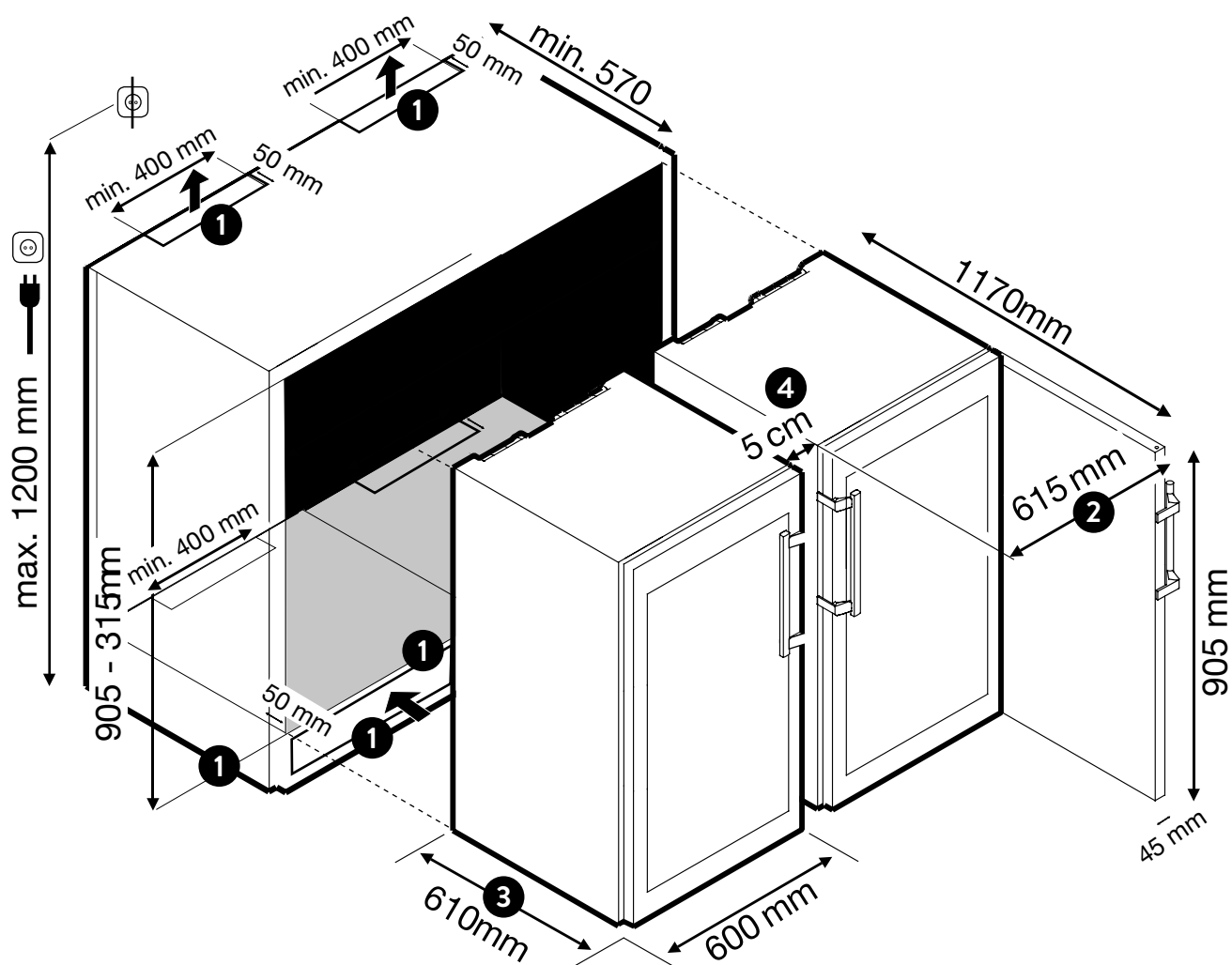
MAXIMUM LOAD CAPACITY PER SHELF – *40 kg*

FITTED INSTALLATION DX 500



- 1 Required ventilation shafts are absolutely necessary. **Minimum size: 200 cm³**
Possible on the side or at the back
- 2 Overall dimension with opened door: **615 mm**
- 3 Overall dimension body + door (*protruding*): **610 mm**

FITTED INSTALLATION DX 500 - SIDE BY SIDE



- ❶ Required ventilation shafts are absolutely necessary. **Minimum size: 200 cm³ per device.**
Possible on the side or at the back
- ❷ Overall dimension with opened door: **615 mm**
- ❸ Overall dimension body + door (*protruding*): **610 mm**
- ❹ To disguise the gap between two Dry Ager's it is possible to purchase our filler strip.
This accessory is available with **Art. No. BLENDE5**





DRY AGER

BUILT FOR BEEF

Landig + Lava GmbH & Co. KG — DRY AGER Manufaktur
Valentinstraße 35-1 — 88348 Bad Saulgau, Germany — Tel. +49 7581 / 48959-0
info@dry-ager.com — www.dry-ager.com

* * *

Already registered or pending trademarks of Landig + Lava GmbH & Co. KG:
DRY AGER Logo, DryAger, DX 500, DX 1000, HumiControl, DX AirReg, SaltAir
06/2017