



**GLOMAX**  
PORTABLE FOODWARMER



**GMFFL**  
in standard powdercoated Black  
color (food pan not included)

**Maintains  
peak serving temperatures longer...**

- Keeps foods at safe temperatures with the metal sheathed infra-red heating element, radiating heat from above
- Durable black steel housing provides attractive and practical display and optimum performance
- Maximum display potential with incandescent lights, and front sign holder (sign not included), complete with cord and plug.
- Accepts Gastronorm 1/1 pan 100mm deep (not included).
- Genuine Hatco renowned performance.



**HEAD OFFICE:**

**SYDNEY OFFICE:**

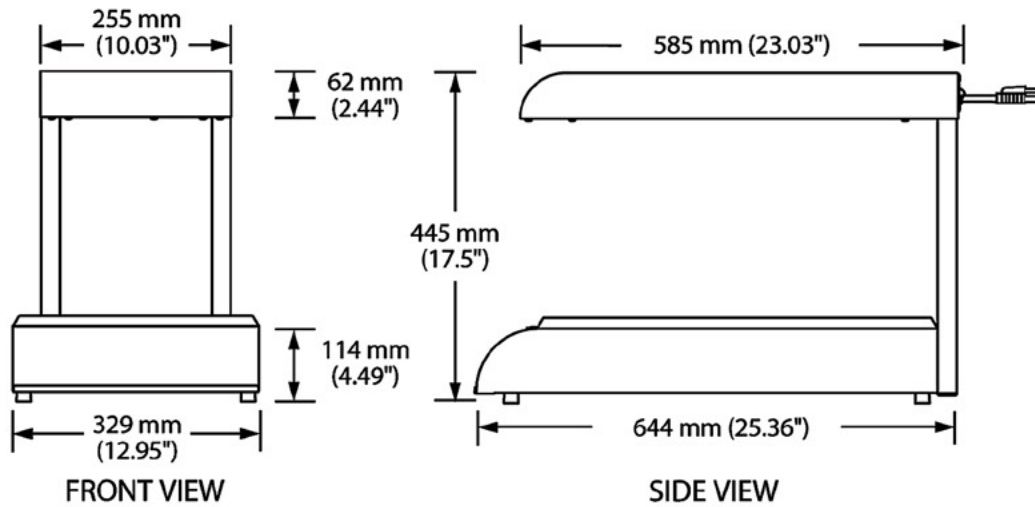
**QUEENSLAND OFFICE:**

**PERTH:**



# GLO-MAX PORTABLE FOODWARMERS

Model GMFFL



## SPECIFICATIONS

Model	Volts	Watts	Amps	Shipping Weight
GMFFL	230	610	2.7	9.2 kg (20 lbs.)

The unit accepts a GN 1/1 pan 100mm deep (530 x 325mm). Order separately

## DIMENSIONS

GMFFL: 329 mm W x 644 mm D x 445 mm H  
(12.95" x 25.36" x 17.5").

## VOLTAGE

GMFFL: 230 volts, 50-60 Hz, 610 watts, 2.7 amps

## CORD LOCATION

GMFFL: Back of unit, upper middle.

## PLUG CONFIGURATIONS

Supplied with 10A cord and plug

## OPTIONS (NOT FOR RETROFIT)

Designer Colors: Warm Red, Black (standard)

**FSM** (FOOD SERVICE MACHINERY PTY. LTD.)

### HEAD OFFICE:

21-23 Agosta Drive, Laverton North,  
Vic. 3026 Australia  
T: +61 3 9368 2300 F: +61 3 9369 3800  
E: sales@fsm-pl.com.au W: www.fsm-pl.com.au

### SYDNEY OFFICE:

Unit 15, 7-9 Progress Circuit,  
Prestons, NSW 2170  
T: +61 2 9608 8620 F: +61 2 9607 9370  
E: sales@fsm-pl.com.au W: www.fsm-pl.com.au

### QUEENSLAND OFFICE:

4/40 Rivergate Place,  
Murarie, QLD 4172  
T: +61 7 3390 4185 F: +61 7 3393 9508  
E: sales@fsm-pl.com.au W: www.fsm-pl.com.au

### PERTH:

T: 0413 893 311  
E: sales@fsm-pl.com.au  
W: www.fsm-pl.com.au