

Project: \_\_\_\_\_

Item No: \_\_\_\_\_

Quantity: \_\_\_\_\_

## The Single MiLO<sup>®</sup>-14 Oven



### STANDARD FEATURES

- Revolutionary new technology of Decoupled Air & Infrared (IR)
- Patented streamlined airflow design maximizes transfer of IR energy
- Touch screen display with security passcode and countdown timer
- Cooking cavity illuminates while in operation for a theatrical experience
- Warranty - 1 year parts and labor
- Energy efficient
- Active venting feature allows for removal of humidity in cook cavity for crisper product
- Variable cavity temperature between cooks
- Quiet operation at only 68 dB

### OPERATION

- USB port - upload and download recipes, view cook logs, diagnostic mode
- 1,000+ recipes
- Independently controlled Decoupled Air and IR for each cook stage for optimal product finish
- Touch screen display with security passcode

### PERFORMANCE

- Capacity: optimally fits up to a 14" pizza or 1/4 size sheet pan
- Grill, roast, bake, steam, broil, and air fry
- Use any oven-safe pans. Accessory pans available for scoring products or cooking specialty menu items

### CONSTRUCTION

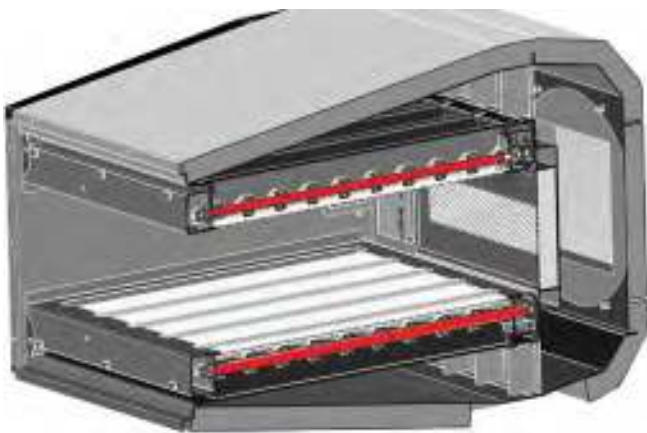
- 304 stainless interior, 430 stainless exterior
- Easy to clean design: Filters are dishwasher safe, crumb and grease trays are removable and jet plates tilt for easy cleaning

### VENTLESS

UL Certified for ventless operation

### AIR + IR = SUPERIOR PRODUCT

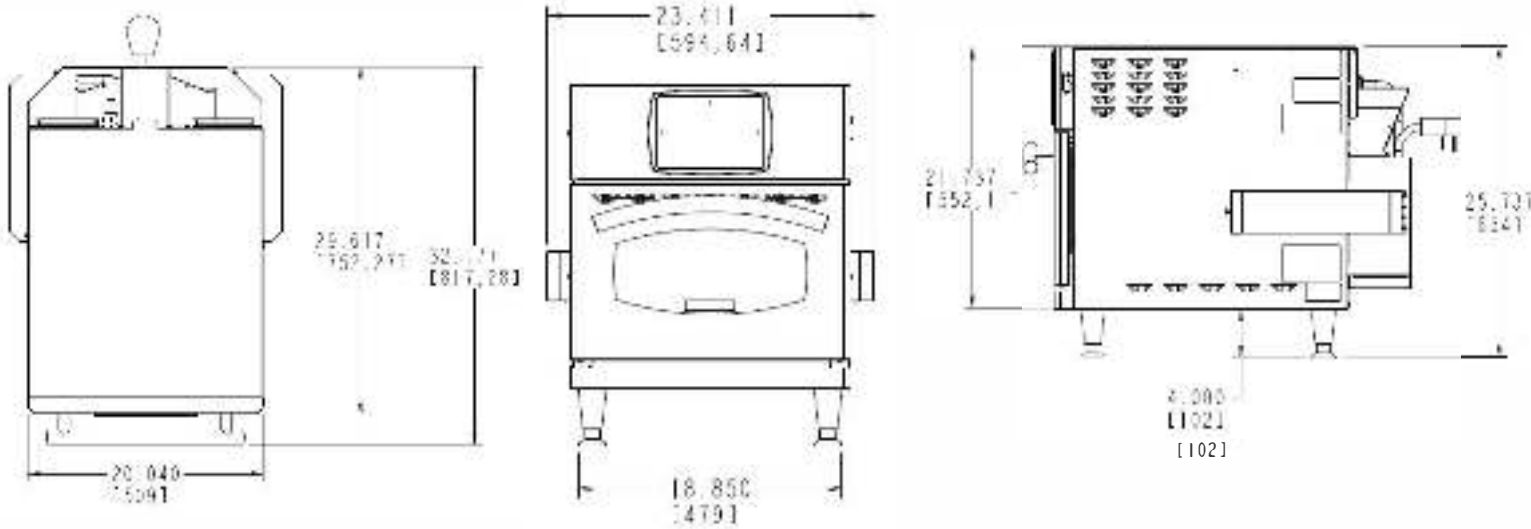
Quality food products.  
One-of-a-kind artisan finish.




PROUDLY MADE IN THE USA



## The Single MiLO®-14 Oven



Measurement Units: Inches (Millimeters)

DIMENSIONS			ELECTRICAL SPECIFICATIONS		
Height	21.7"	552 mm	Temperature Range	82-600 °F	28-316 °C
With Legs	25.7"	654 mm	Voltage	208-240 VAC	 NEMA 6-30
Width	23.4"	595 mm	Watts	7.2 kW	
Depth	32.2"	817 mm	Amperage	27.2-29.8 Amp	
Weight	163 lb	74 kg	Phase	1 ph	
Minimum Clearance	0" Top	0 mm	Frequency	60 Hz	
	0" Back	0 mm	Cord Length	72"	
	0" Sides	0 mm			
OVEN CAVITY DIMENSIONS			SHIPPING SIZE		
Height	4"	102 mm	Cube (L x W x H)	38"x34"x38"	965mmx864mmx965
Width	15.5 "	394 mm	Shipping Weight	205 lbs	93 kg
Depth	14.3"	363 mm	Freight Class	175	
			FOB	Sturgeon Bay, Wisconsin, USA	

**PROUDLY MADE IN THE USA**